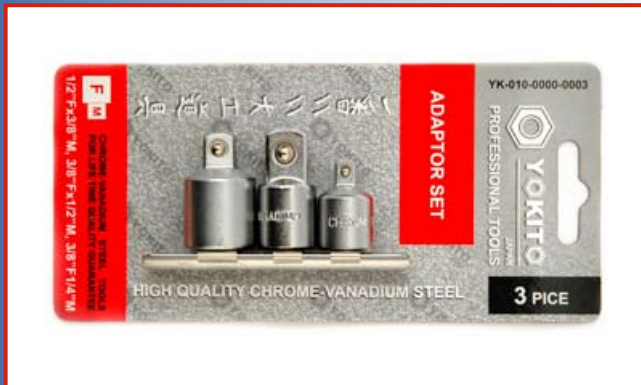


# Accessories



## ADAPTORS



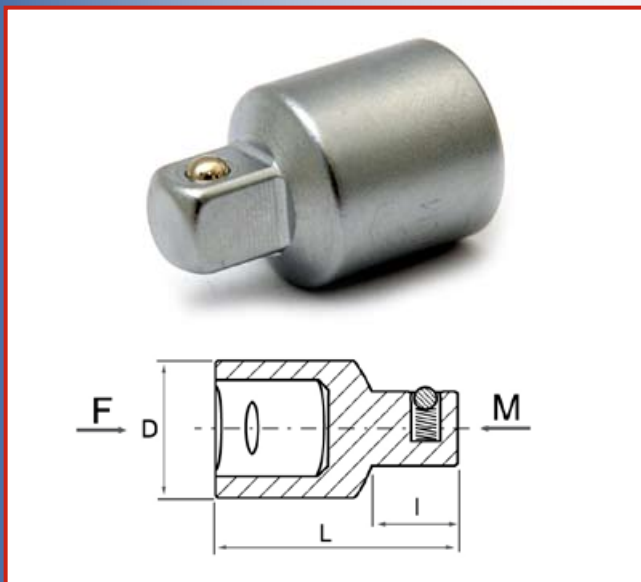
### Socket adaptor set

3 pieces

Chrome-Vanadium steel

**10-0000-0003**

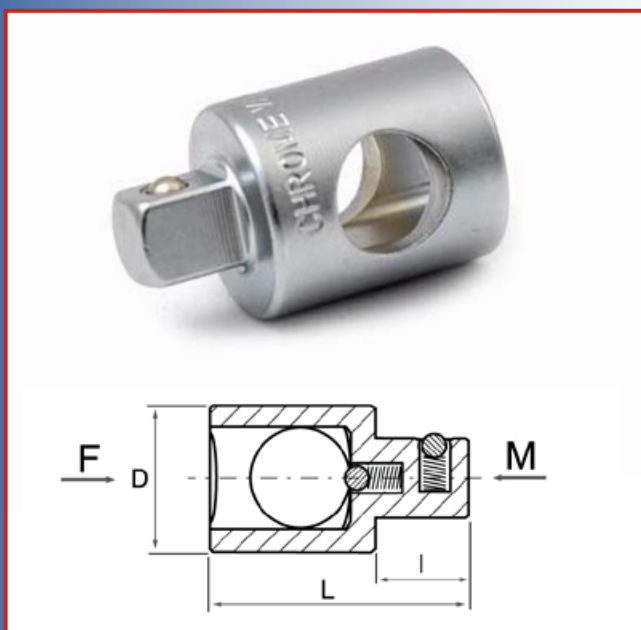
Contents	1/2"Fx3/8"M	3/8"Fx1/2"M	3/8"Fx1/4"M



### Socket adaptors

Chrome-Vanadium steel

Yokito art. no.	Size
10-1238-0000	1/2"F x 3/8"M
10-3812-0000	3/8"F x 1/2"M
10-3814-0000	3/8"F x 1/4"M
10-1234-0000	1/2"F x 3/4"M
10-3412-0000	3/4"F x 1/2"M



### Multi Socket adaptors

Chrome-Vanadium steel

Yokito art. no.	Size
10-3814-1000	3/8"F x 1/4"M
10-3812-1000	3/8"F x 1/2"M
10-1238-1000	1/2"F x 3/8"M

**Bit holder with magnet**

1/4" - 1/4"

Chrome-Vanadium steel

**10-1414-2500**



**Bit holder**

3/8" - 10 mm

Chrome-Vanadium steel

**10-3810-2800**



**Bit holder**

1/2" - 10 mm

Chrome-Vanadium steel

**10-1210-3600**



**UNIVERSAL JOINTS**

**Universal Joint**

1/4", 3/8", 1/2", 3/4"

Chrome-Vanadium steel

Yokito art. no.	Size	L
11-0014-0037	1/4"	37
11-0038-0052	3/8"	52
11-0012-0072	1/2"	72
11-0034-0108	3/4"	108





## SLIDING T-BARS



**Sliding T-bar**  
Chrome-Vanadium steel

Yokito art. no.	Size	L
12-0014-0112	1/4"	112
12-0038-0200	3/8"	200
12-0012-0250	1/2"	250
12-0012-0300	1/2"	300
12-0034-0450	3/4"	450
12-0034-0500	3/4"	500

## EXTENSION BARS



**Extension bar**  
Chrome-Vanadium steel

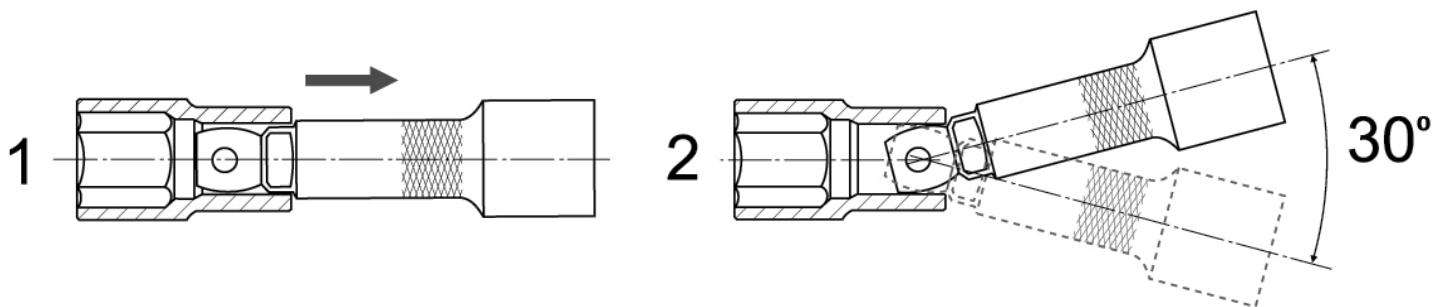
Yokito art. no.	Size	L
13-0034-0100	3/4"	100
13-0034-0200	3/4"	200
13-0034-0400	3/4"	400

Yokito art. no.	Size	L
13-0014-0050	1/4"	50
13-0014-0075	1/4"	75
13-0014-0100	1/4"	100
13-0014-0150	1/4"	150
13-0038-0043	1/4"	43
13-0038-0075	3/8"	75
13-0038-0150	3/8"	150
13-0038-0250	3/8"	250
13-0012-0075	1/2"	75
13-0012-0125	1/2"	125
13-0012-0150	1/2"	150
13-0012-0250	1/2"	250



**Multi extension bar**  
 Chrome-Vanadium steel

Yokito art. no.	Size	L
13-1014-0050	1/4"	50
13-1014-0075	1/4"	75
13-1014-0100	1/4"	100
13-1014-0150	1/4"	150
13-1038-0075	3/8"	75
13-1038-0150	3/8"	150
13-1038-0250	3/8"	250
13-1012-0075	1/2"	75
13-1012-0125	1/2"	125
13-1012-0150	1/2"	150
13-1012-0250	1/2"	250



Usage of the Multi Extension Bar

**F-HANDLES**

**F-handle**  
 Chrome-Vanadium steel

Yokito art. no.	Size	L
14-0014-0150	1/4"	150
14-0038-0200	3/8"	200
14-0038-0250	3/8"	250
14-0012-0375	1/2"	375
14-0012-0450	1/2"	450
14-0034-0450	3/4"	450





### Speeding handle 1/2"

Length: 430 mm

Chrome-Vanadium steel

**14-0012-0350**

## FLEXIBLE EXTENSION BARS



### Flexible extension bar

Chrome-Vanadium steel

**15-0014**

Yokito art. no.	Size	L
15-0014-0150	1/4"	150
15-0014-0300	1/4"	300

## SOCKET RAILS



### Socket rail

Chrome-Vanadium steel

Yokito art. no.	Pieces	Size	L
17-1014-0180	10	1/4"	180
17-0638-0145	6	3/8"	145
17-1238-0270	12	3/8"	270
17-1012-0270	10	1/2"	270
17-1212-0320	12	1/2"	320
17-1412-0430	14	1/2"	430

4 WAY CROSSWHEEL WRENCH

4 way crosswheel wrench  
 17mmx22mm, 19mmx21mm  
 Length: 400  
 Chrome-Vanadium steel

18-1722-1400



4 way crosswheel wrench  
 With adapter to 1/2" drive  
 17mmx22mm, 19mmx21mm  
 Length: 400  
 Chrome-Vanadium steel

18-1722-0400



T-SHAPED SOCKET WRENCHES

T-shaped socket wrench  
 19-0600 Chrome-Vanadium steel

Yokito art. no.	Size	L	H
19-0600-1208	8 mm	300	200
19-0600-1209	9 mm	300	200
19-0600-1210	10 mm	300	200
19-0600-1211	11 mm	300	200
19-0600-1212	12 mm	300	200
19-0600-1213	13 mm	300	200
19-0600-1214	14 mm	300	200
19-0600-1217	17 mm	300	200
19-0600-1219	19 mm	300	200





### T-shaped socket driver

Chrome-Vanadium steel

Yokito art. no.	Size	L	H
20-0038-1208	3/8"	300	200
20-0012-1208	1/2"	300	200



### T-shaped socket driver with universal joint 1/2" drive

Length: 490

H: 200

Chrome-Vanadium steel

**21-0012-0450**



### T-shaped socket wrench joint type

Chrome-Vanadium steel

**22-0600**

Yokito art. no.	Size	L	H
22-0600-1208	8 mm	525	200
22-0600-1209	9 mm	525	200
22-0600-1210	10 mm	525	200
22-0600-1211	11 mm	525	200
22-0600-1212	12 mm	525	200
22-0600-1213	13 mm	525	200
22-0600-1214	14 mm	525	200
22-0600-1217	17 mm	525	200
22-0600-1219	19 mm	525	200



SCREWDRIVERS

Screwdriver set  
8 pieces  
With magnetic head  
Chrome-Vanadium steel

23-0000-0008



Screwdriver, Phillips head  
With magnetic head  
Chrome-Vanadium steel

23-0000

Yokito art. no.	Size	/	L	m
23-0000-6040	No. 2	40	95	6
23-0000-5075	No. 1	75	160	5
23-0000-6100	No. 2	100	195	6
23-0000-8145	No. 3	145	260	8



Screwdriver, Slotted head  
With magnetic head  
Chrome-Vanadium steel

23-0001

Yokito art. no.	Size	ℓ	L	m
23-0001-7040	7 mm	40	95	7
23-0001-3065	3 mm	65	135	3
23-0001-5100	5 mm	100	190	5
23-0001-7100	7 mm	103	200	7
23-0001-8150	8 mm	153	265	8



Double-headed spinner handle  
1/4" drive  
Length: 150 mm  
Chrome-Vanadium steel

23-0014-0150





## LONG TYPE HEX KEY L-WRENCH

Long type hex key L-wrench with ball point  
Chrome-Vanadium steel



Yokito art. no.	Size	L	H
24-0080-0015	1,5 mm	80	15
24-0095-0002	2,0 mm	95	18
24-0110-0025	2,5 mm	110	20
24-0130-0003	3,0 mm	130	23
24-0145-0004	4,0 mm	145	30
24-0160-0005	5,0 mm	160	33
24-0185-0006	6,0 mm	185	38
24-0205-0008	8,0 mm	205	48
24-0235-0010	10,0 mm	235	53

## LONG TYPE TORX L-WRENCH

Long type tamper resistant TORX L-wrench  
Chrome-Vanadium steel



Yokito art. no.	Size	L	H
25-0080-0010	T10	80	19
25-0095-0015	T15	95	20
25-0110-0020	T20	110	24
25-0130-0025	T25	130	26
25-0150-0027	T27	150	29
25-0150-0030	T30	150	30
25-0185-0040	T40	185	38
25-0205-0045	T45	205	43
25-0230-0050	T50	230	50